

### i15 PARTS LIST




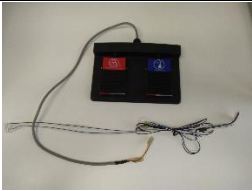



| No.                           | Part No.        | Description                | Photo   |
|-------------------------------|-----------------|----------------------------|---|
| <b>WETTED PARTS (V1 + V2)</b> |                 |                            |   |
| 1                             | 11-2330-0       | STEM TAIL TEE ¼            |    |
| 2                             | 11-2970-0       | COUPLER MOTOR SPIRAL LEFT  |    |
| 3                             | 11-2971-0       | COUPLER MOTOR SPIRAL RIGHT |    |
| 4                             | 11-2974-0       | COUPLER BUSHING SPIRAL     |   |
| 5                             | 11-2980-0       | COVER DOOR ICE             |   |
| 6                             | 11-2981-0       | DOOR ICE                   |   |
| 7                             | 11-2987-0       | GUIDE ICE FRONT            |  |
| 8                             | 61-1908-0       | EPS PAD LOWER (WHITE)      |  |
| 9                             | 91-3611-0       | ASSY TANK HOT – SUB        |   |
| 10                            | 91-3612-0       | ASSY MANIFOLD FAUCET - SUB |   |
| 11                            | 15000 DRAIN KIT | V1.5 DRAIN KIT             |   |

|    |                            |                                   |   |
|----|----------------------------|-----------------------------------|---|
| 12 | 15000 AUGER RINSE RETROFIT | AUGER RINSE RETROFIT              |   |
| 13 | 41-2058-0                  | SENSOR ICE FULL LASER - RECEIVE   |    |
| 14 | 41-2059-0                  | SENSOR ICE FULL LASER - SEND      |    |
| 15 | 51-0347-1                  | FILTER 6" SED                     |    |
| 16 | 61-1839-0                  | EPS AUGER (LIGHT GRAY)            |   |
| 17 | 21-0852-0                  | BKT AUGER LOWER                   |  |
| 18 | 31-0721-1                  | TU ELBOW AIR VENT                 |  |
| 19 | 41-1171-1                  | SENSOR LEVEL DETECTOR 1PIN BOTTOM |  |
| 20 | 41-1194-2                  | VALVE SOLENOID HIGH PRESSURE      |   |
| 21 | 41-1405-0                  | PUMP DRAIN                        |  |

|    |           |                                |   |
|----|-----------|--------------------------------|---|
| 22 | 41-1432-2 | SENSOR LEVEL DETECTOR 2PIN TOP |    |
| 23 | FIFO      | STEM TAIL TEE ¼                |   |
| 24 | 21-0848-0 | CUTTER AUGER                   |    |
| 25 | 21-0851-0 | BKT AUGER UPPER                |    |
| 26 | 11-3048-0 | TUBING ¼" 330MM (BLUE)         |   |
| 27 | 21-0892-0 | WRENCH BOLT                    |   |
| 28 | 21-0893-0 | WASHER                         |  |
| 29 | 31-0025-1 | TUBE END ½"                    |   |
| 30 | 31-0325-1 | SEAL SENSOR LEVEL COLD         |  |
| 31 | 31-0422-0 | SEAL DOOR ICE                  |  |
| 32 | 91-3619-0 | ASSY TUBING 3/8 PE-RT - SUB    |   |

|      |           |                                 |   |
|------|-----------|---------------------------------|---|
| 33   | 91-3698-0 | ASSY DOOR ICE                   |    |
| 34   | 11-3099-0 | LINK DOOR ICE                   |    |
| 35   | 41-1550-0 | STERILIZER UV LED TANK          |    |
| 36   | 41-1768-4 | VALVE SOLENOID 1WAY             |    |
| 36.1 | 21-0867-1 | AUGER                           |   |
| 37   | 21-0868-1 | TANK HOT                        |  |
| 38   | 41-1795-0 | SENSOR LEVEL DETECTOR -ICE TANK |  |
| 39   | 31-0431-0 | CAP DRAIN (BLACK)               |  |

|                                   |           |                           |   |
|-----------------------------------|-----------|---------------------------|---|
| 40                                | 31-0577-1 | SEALING LEVEL SENSOR      |    |
| 41                                | 61-1835-0 | EPS UNIT (LIGHT GRAY)     |    |
| <b>ELECTRONIC PARTS (V1 + V2)</b> |           |                           |   |
| 42                                | 11-2824-0 | DECO DISPENSER LIGHT      |    |
| 43                                | 41-2048-0 | POWER CORD PLUG B         |   |
| 44                                | 41-2064-1 | SENSOR TEMPERATURE (TANK) |  |
| 45                                | 91-3608-0 | ASSY MOTOR GEARED - SUB   |  |
| 46                                | 41-0308-0 | SENSOR TEMPERATURE (EVA)  |   |
| 47                                | 41-1285-0 | MOTOR GEARED (DOOR)       |  |
| 48                                | 41-1911-1 | MOTOR - ICE DISPENSE      |  |

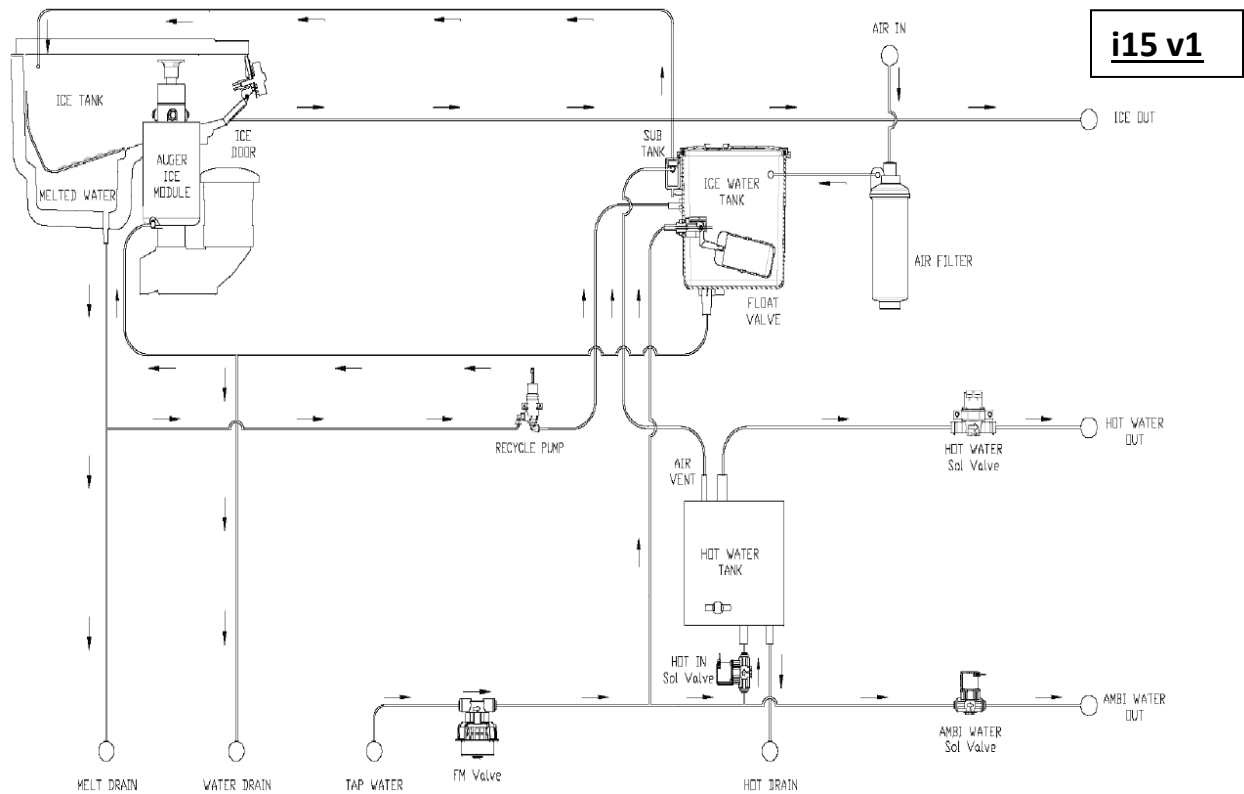
|                                   |                      |                          |   |
|-----------------------------------|----------------------|--------------------------|---|
| 49                                | 41-2018-0            | TRANSFORMER              |    |
| 50                                | 41-2046-0            | PCB MAIN                 |    |
| <b>HANDS-FREE PARTS (V1 + V2)</b> |                      |                          |   |
| 51                                | ADS                  | AMBIENT DISPENSE STICKER |   |
| 52                                | CDS                  | COLD DISPENSE STICKER    |   |
| 53                                | FOOT SWITCH<br>XF-1D | 2 PEDAL SYSTEM           |    |
| 54                                | IDS                  | ICE DISPENSE STICKER     |   |
| 55                                | WS150002PDLKIT       | 15000 ICE AND COLD PEDAL |   |
| <b>PANELS (V1 + V2)</b>           |                      |                          |   |
| 56                                | 4419                 | WS 15000 STAND - PWS     |   |
| 57                                | 11-2964-1            | 15000 - COVER TOP        |  |
| 58                                | 21-0853-2            | 15000 - FRAME SIDE       |  |
| 59                                | 21-0854-0            | 15000 - FRAME REAR       |  |

|                        |              |                                    |   |
|------------------------|--------------|------------------------------------|---|
| 60                     | 21-0860-0    | 15000 - COVER PCB UPPER            |    |
| 61                     | 21-0873-1    | 15000 - COVER RIGHT                |    |
| 62                     | 21-0874-1    | 15000 - COVER LEFT                 |    |
| 63                     | 8421.99-9099 | WS 15000 STAND                     |   |
| 64                     | 91-3622-0    | 15000 - ASSY PLATE MIDDLE - SUB    |   |
| <b>OTHER (V1 + V2)</b> |              |                                    |   |
| 65                     | 91-3646-0    | 15000 - ASSY DECO FAUCET (BLACK)   |   |
| 66                     | 11-3111-0    | 15000 - DECO DISPENSER (BLACK)     |  |
| 67                     | 91-3703-0    | 15000 - ASSY COVER FRONT - WELLSYS |  |
| 68                     | 91-3703-0    | 15000 - ASSY COVER FRONT - WELLSYS |  |
| 69                     | 91-2922-0    | PWS OF AMERICA FACEPLATE           |   |

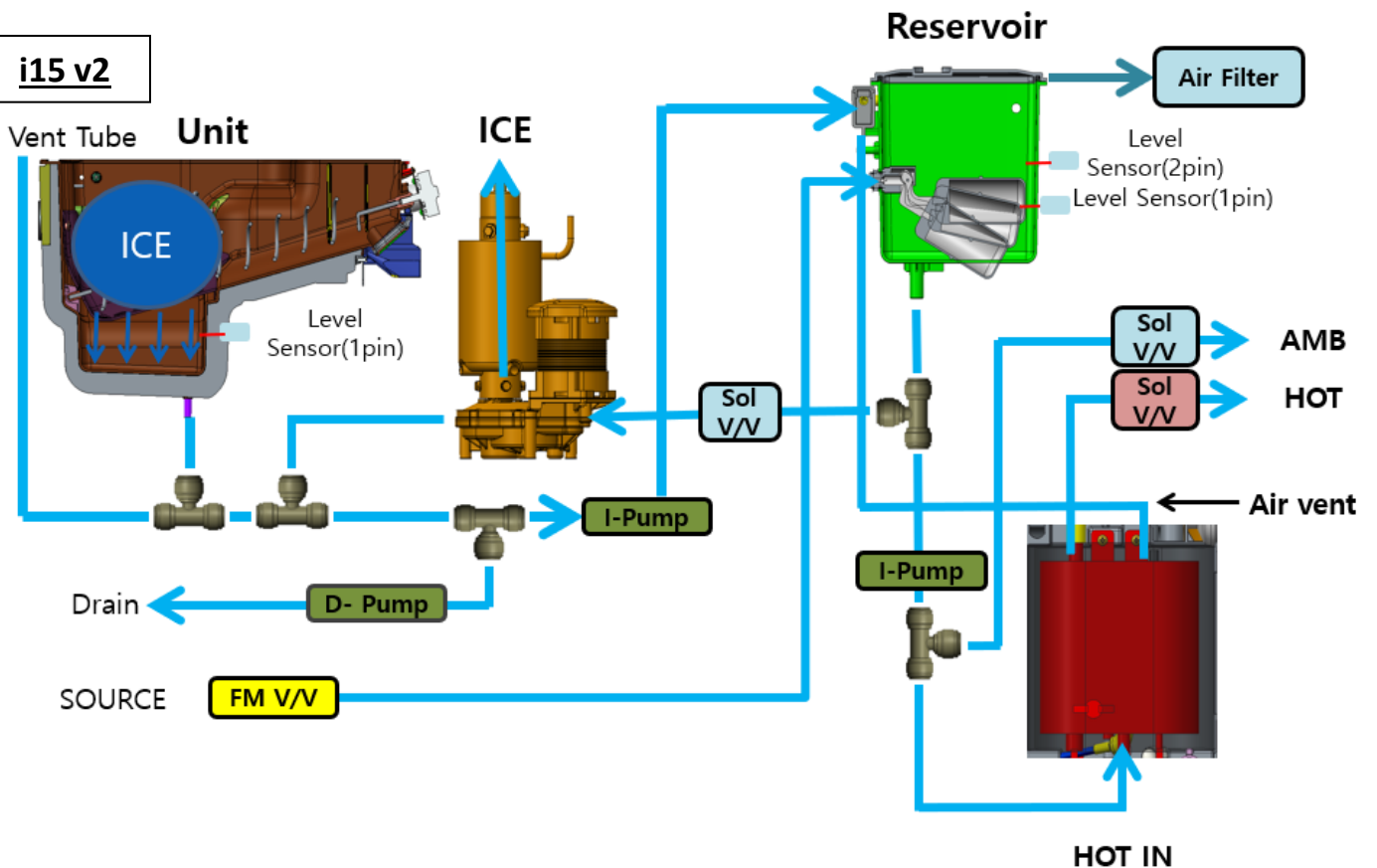
|                                   |                         |                                      |   |
|-----------------------------------|-------------------------|--------------------------------------|---|
| 70                                | 91-3592-0               | 15000 - ASSY PLATE BASE - SUB        |    |
| 71                                | 91-3607-0               | 15000 - ASSY UNIT - SUB              |    |
| 72                                | 91-3614-0               | 15000 - ASSY TRAY                    |    |
| 73                                | 91-3620-0               | 15000 - ASSY COVER REAR - SUB        |    |
| <b>REFRIGERATION (V1 + V2)</b>    |                         |                                      |   |
| 74                                | 91-3616-0               | 15000 - ASSY PARTIAL CONDENSER - SUB |   |
| 75                                | 21-0864-0               | 15000 - COMPRESSOR                   |   |
| <b>WETTED PARTS (V2 ONLY)</b>     |                         |                                      |   |
| 76                                | 41-2209-0               | DISPENSE PUMP                        |  |
| 77                                | 11-3436-0               | TUBING 1/4 45mm (BLUE)               |   |
| 78                                | 41-2207-0               | ICE MELT PUMP                        |  |
| <b>ELECTRONIC PARTS (V2 ONLY)</b> |                         |                                      |   |
| 79                                | 15000 CIRCUIT BOARD 2.3 | 15000 V2.3 CIRCUIT BOARD             |  |



**i15 WATER FLOW DIAGRAM**

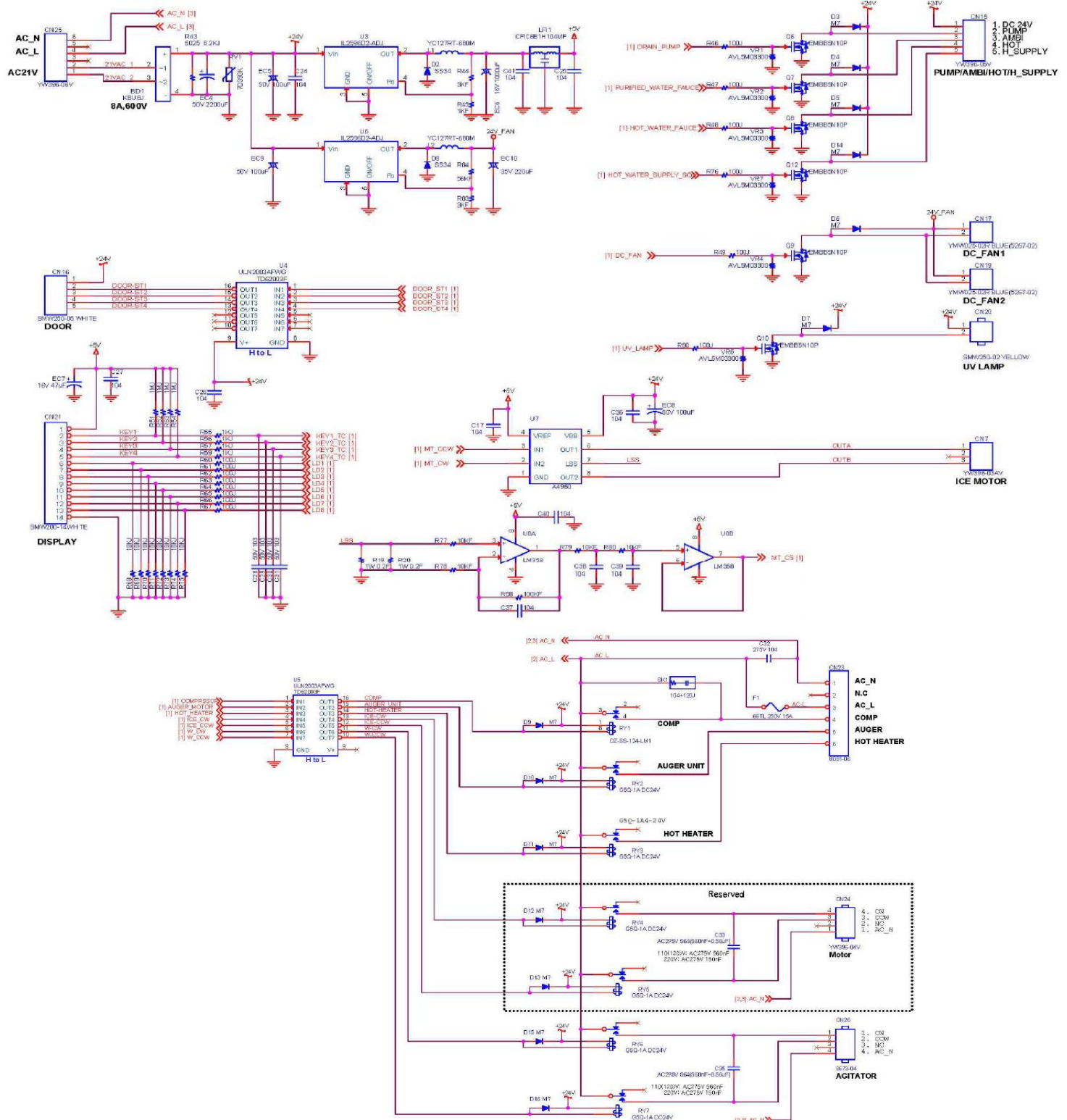


**i15 v2**



## i15 ELECTRICAL DIAGRAM

**⚠ DANGER!** HIGH VOLTAGE ELECTRICAL HAZARD. PCB (Printed Circuit Board) contains High Voltage. Only trained and qualified technicians should attempt live testing.



**i15 PCB DIAGRAM**

